



data safe[®] CX-M
100% Initial Capacity

**BATTERY
PERFORMANCE
SPECIFICATIONS**





The DataSafe® CX-M battery is an economical multi-cell flat plate battery. The CX-M unit is optimized for high performance and provides excellent short duration discharge rates.

The DataSafe CX-M battery now features the Slide-Lock™ post seal design. The DataSafe CX-M battery features a larger copper insert in the Slide-Lock post. The number of plates and plate thickness are optimized with respect to the available electrolyte ensuring maximum performance during short duration discharges.

The DataSafe CX-M battery was designed for easier maintenance since all the posts and connectors reside above the cell cover; maintenance routines, including individual cell monitoring and intercell resistance measurements are simplified. The economical design and footprint, combined with Slide-Lock post and excellent performance in short duration discharges makes this an ideal battery in UPS and switchgear applications.

Features

- Slide-Lock™ post seal design
- Calcium alloy grids for lowest water loss, resulting in lowest maintenance costs
- Lead plated copper posts provide high 1-minute rates
- 100% Initial capacity
- 20 year life expectancy in floating applications where high ambient temperature is not a factor
- The number of plates and the plate thickness have been optimized with respect to the available free electrolyte to ensure maximum performance during short duration discharges without sacrificing component integrity
- Installation services and preventative maintenance packages available

Standards

- Manufactured in EnerSys® production facilities certified to ISO™ 9001: 2008
- Manufactured in EnerSys production facilities certified to ISO 14001: 2004
- Available testing to IEEE 450 standards as well as customer specific applications

Specifications

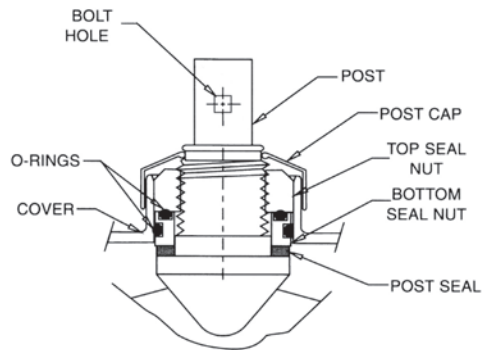
- Plate thickness:
Positive: 0.20 in/5.1 mm
Negative: 0.14 in/3.6 mm
- Plate dimensions:
Height
Positive: 7.75 in/197 mm Width
Negative: 7.75 in/197 mm 8.00 in/203 mm
8.00 in/203 mm
- Plate suspension type:
Positive: Bottom supported
Negative: Bottom supported
- Container: Styrene Acrylonitrile Copolymer, optional PC
- Cover: Made from flame retardant PVC, (UL94-VO/L.O.I. 28%)
- Separators: Microporous plastic
- Bolt connectors: Stainless steel, Standard English measure, Hex-Head
- Inter-unit connectors: Tin-plated copper, Optional lead-plated copper
- Electrolyte over plates: 2.38 in/60.5 mm
- Vent type: Flame Arrestor, Fused Alumina
- Float voltage settings (1.215 S.G.): Acceptable min/max: 2.17/2.26 Vpc, Recommended: 2.21 Vpc
- Float voltage settings (1.250 S.G.): Acceptable min/max: 2.21/2.30 Vpc, Recommended: 2.25 Vpc
- Sediment space: 1.00 in/25.4 mm
- Post seal type: Slide-Lock™
- Specific gravity: 1.215 standard (1.250 available upon request)

NOTE: All inter-cell, inter-tier, inter-step, end-to-end inter-rack and back-to-back inter-rack connectors for standard configurations are included with every battery. Cross-aisle inter-rack connectors are not included.

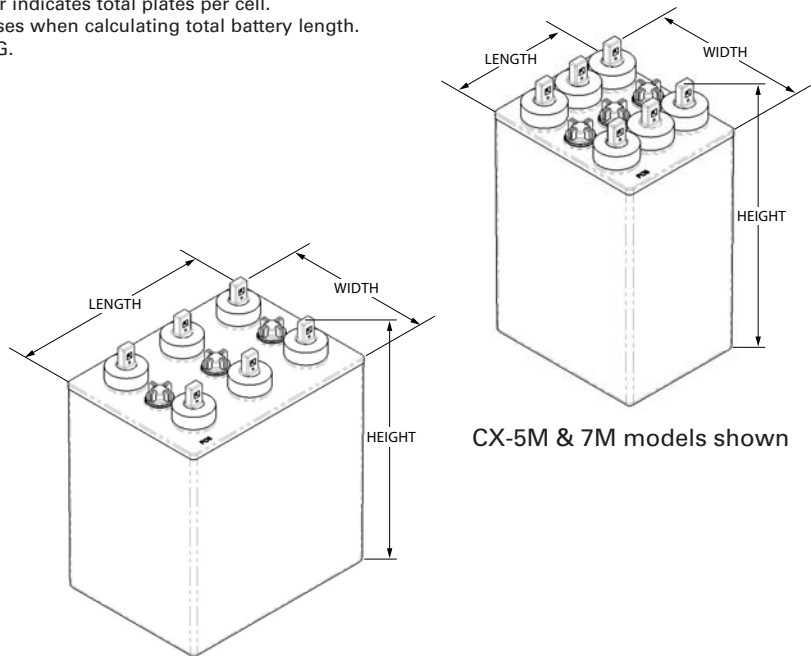
General Specifications

| DataSafe® CX-M battery TYPE* | NOM. Ah CAP ¹ | Nominal Dimensions | | | | | | Weights - Volumes | | | | | | | |
|------------------------------------|--------------------------------|--------------------|-----|-------|-----|--------|-----|-------------------|------|-----------------|------|-------------------------------|------|-----|------|
| | | Length** | | Width | | Height | | Unpacked | | Domestic Packed | | Electrolyte Only / 1.215 S.G. | | | |
| | | in | mm | in | mm | in | mm | lbs | kg | lbs | kg | lbs | kg | gal | l |
| 2CX-5M | 105 | 7.0 | 178 | 9.0 | 229 | 14.8 | 375 | 44 | 20.0 | 49 | 22.2 | 10 | 4.7 | 1.0 | 3.9 |
| 3CX-5M | 105 | 7.0 | 178 | 9.0 | 229 | 14.8 | 375 | 65 | 29.5 | 71 | 32.2 | 16 | 7.1 | 1.5 | 5.8 |
| 2CX-7M | 130 | 7.0 | 178 | 9.0 | 229 | 14.8 | 375 | 49 | 22.2 | 53 | 24.0 | 9 | 4.2 | 0.9 | 3.4 |
| 3CX-7M | 130 | 7.0 | 178 | 9.0 | 229 | 14.8 | 375 | 73 | 33.1 | 78 | 35.4 | 14 | 6.3 | 1.4 | 5.2 |
| 2CX-9M | 185 | 12.2 | 310 | 9.0 | 229 | 14.8 | 375 | 72 | 32.7 | 81 | 36.7 | 24 | 11.0 | 2.4 | 9.0 |
| 3CX-9M | 185 | 12.2 | 310 | 9.0 | 229 | 14.8 | 375 | 107 | 48.5 | 114 | 51.7 | 36 | 16.3 | 3.5 | 13.4 |
| 2CX-11M | 215 | 12.2 | 310 | 9.0 | 229 | 14.8 | 375 | 76 | 34.5 | 87 | 39.5 | 22 | 9.8 | 2.1 | 8.0 |
| 3CX-11M | 215 | 12.2 | 310 | 9.0 | 229 | 14.8 | 375 | 114 | 51.7 | 122 | 55.3 | 33 | 14.7 | 3.2 | 12.1 |
| 2CX-13M | 240 | 12.2 | 310 | 9.0 | 229 | 14.8 | 375 | 81 | 36.7 | 88 | 39.9 | 20 | 9.1 | 2.0 | 7.4 |
| 3CX-13M | 240 | 12.2 | 310 | 9.0 | 229 | 14.8 | 375 | 121 | 54.9 | 128 | 58.1 | 30 | 13.8 | 3.0 | 11.3 |
| 2CX-15M | 260 | 12.2 | 310 | 9.0 | 229 | 14.8 | 375 | 84 | 38.1 | 90 | 40.8 | 19 | 8.5 | 1.9 | 7.0 |
| 3CX-15M | 260 | 12.2 | 310 | 9.0 | 229 | 14.8 | 375 | 125 | 56.7 | 132 | 59.9 | 28 | 12.9 | 2.8 | 10.6 |

* Prefix number indicates total cells per jar. Suffix number indicates total plates per cell.
 ** 0.25" must be added between units for spacing purposes when calculating total battery length.
¹ Nominal Amp hour capacity at the 8 hour rate - 1.215 S.G.



Exclusive Slide-Lock™ Post Seal



CX-9M & 15M models shown

CX-5M & 7M models shown

CX-M Catalog Rint and Isc Catalog Values*

| DataSafe® CX-M battery TYPE | Resistance (u-ohms) | Isc (Amps) |
|-----------------------------------|------------------------|---------------|
| CX-5M | 1090 | 1830 |
| CX-7M | 750 | 2670 |
| CX-9M | 528 | 3790 |
| CX-11M | 444 | 4500 |
| CX-13M | 382 | 5240 |
| CX-15M | 333 | 6010 |

CX-MB Catalog Rint and Isc Catalog Values*

| DataSafe® CX-M battery TYPE | Resistance (u-ohms) | Isc (Amps) |
|-----------------------------------|------------------------|---------------|
| CX-5MB | 1090 | 1870 |
| CX-7MB | 750 | 2710 |
| CX-9MB | 528 | 3860 |
| CX-11MB | 444 | 4580 |
| CX-13MB | 382 | 5330 |
| CX-15MB | 333 | 6110 |

* Short Circuit and Internal Resistance Values Calculated by IEEE-946 method.

1.250 Specific Gravity
Discharge Rates in kW per Cell to 1.75Vpc at 25°C (77°F)*

| DataSafe® CX-M battery Type | Standby Time (Minutes) | | | | | | | | | | | | | | | | Standby Time (Hours) | | | |
|-----------------------------------|------------------------|-------|-------|-------|-------|-------|-------|-------|-------|-------|-------|-------|-------|-------|-------|-------|----------------------|-------|-------|-------|
| | Nom Ah | 5 | 10 | 11 | 12 | 13 | 14 | 15 | 16 | 17 | 18 | 19 | 20 | 25 | 30 | 45 | 1 | 1.5 | 2 | 3 |
| CX-5MB | 115 | 0.307 | 0.259 | 0.251 | 0.245 | 0.238 | 0.232 | 0.227 | 0.221 | 0.216 | 0.212 | 0.207 | 0.203 | 0.185 | 0.170 | 0.138 | 0.117 | 0.091 | 0.076 | 0.057 |
| CX-7MB | 140 | 0.466 | 0.385 | 0.372 | 0.361 | 0.350 | 0.340 | 0.331 | 0.322 | 0.314 | 0.306 | 0.299 | 0.292 | 0.262 | 0.238 | 0.188 | 0.157 | 0.120 | 0.099 | 0.073 |
| CX-9MB | 200 | 0.659 | 0.529 | 0.509 | 0.492 | 0.475 | 0.460 | 0.446 | 0.433 | 0.420 | 0.409 | 0.398 | 0.388 | 0.345 | 0.310 | 0.243 | 0.203 | 0.156 | 0.129 | 0.097 |
| CX-11MB | 235 | 0.806 | 0.650 | 0.626 | 0.605 | 0.585 | 0.566 | 0.549 | 0.532 | 0.517 | 0.503 | 0.490 | 0.478 | 0.424 | 0.381 | 0.298 | 0.247 | 0.189 | 0.155 | 0.116 |
| CX-13MB | 265 | 0.949 | 0.768 | 0.740 | 0.715 | 0.692 | 0.670 | 0.649 | 0.630 | 0.612 | 0.595 | 0.580 | 0.565 | 0.501 | 0.451 | 0.350 | 0.290 | 0.220 | 0.180 | 0.133 |
| CX-15MB | 290 | 1.086 | 0.882 | 0.851 | 0.822 | 0.795 | 0.770 | 0.746 | 0.724 | 0.704 | 0.685 | 0.667 | 0.650 | 0.576 | 0.518 | 0.401 | 0.331 | 0.249 | 0.203 | 0.149 |

1.250 Specific Gravity
Discharge Rates in kW per Cell to 1.70Vpc at 25°C (77°F)*

| DataSafe® CX-M battery Type | Standby Time (Minutes) | | | | | | | | | | | | | | | | Standby Time (Hours) | | | |
|-----------------------------------|------------------------|-------|-------|-------|-------|-------|-------|-------|-------|-------|-------|-------|-------|-------|-------|-------|----------------------|-------|-------|-------|
| | Nom Ah | 5 | 10 | 11 | 12 | 13 | 14 | 15 | 16 | 17 | 18 | 19 | 20 | 25 | 30 | 45 | 1 | 1.5 | 2 | 3 |
| CX-5MB | 115 | 0.325 | 0.271 | 0.264 | 0.256 | 0.249 | 0.242 | 0.236 | 0.231 | 0.225 | 0.220 | 0.215 | 0.210 | 0.191 | 0.174 | 0.141 | 0.119 | 0.092 | 0.076 | 0.057 |
| CX-7MB | 140 | 0.502 | 0.409 | 0.395 | 0.382 | 0.370 | 0.359 | 0.348 | 0.338 | 0.329 | 0.320 | 0.312 | 0.304 | 0.271 | 0.245 | 0.192 | 0.159 | 0.120 | 0.099 | 0.073 |
| CX-9MB | 200 | 0.726 | 0.571 | 0.548 | 0.527 | 0.507 | 0.489 | 0.473 | 0.458 | 0.444 | 0.430 | 0.417 | 0.405 | 0.357 | 0.320 | 0.247 | 0.204 | 0.156 | 0.129 | 0.097 |
| CX-11MB | 235 | 0.888 | 0.703 | 0.675 | 0.649 | 0.625 | 0.603 | 0.584 | 0.565 | 0.547 | 0.531 | 0.515 | 0.500 | 0.441 | 0.394 | 0.304 | 0.249 | 0.189 | 0.155 | 0.116 |
| CX-13MB | 265 | 1.046 | 0.832 | 0.799 | 0.769 | 0.741 | 0.716 | 0.692 | 0.670 | 0.649 | 0.630 | 0.611 | 0.594 | 0.522 | 0.466 | 0.358 | 0.293 | 0.220 | 0.180 | 0.133 |
| CX-15MB | 290 | 1.199 | 0.957 | 0.920 | 0.886 | 0.854 | 0.825 | 0.798 | 0.772 | 0.748 | 0.726 | 0.704 | 0.684 | 0.601 | 0.537 | 0.411 | 0.335 | 0.250 | 0.203 | 0.149 |

1.250 Specific Gravity
Discharge Rates in kW per Cell to 1.67Vpc at 25°C (77°F)*

| DataSafe® CX-M battery Type | Standby Time (Minutes) | | | | | | | | | | | | | | | | Standby Time (Hours) | | | |
|-----------------------------------|------------------------|-------|-------|-------|-------|-------|-------|-------|-------|-------|-------|-------|-------|-------|-------|-------|----------------------|-------|-------|-------|
| | Nom Ah | 5 | 10 | 11 | 12 | 13 | 14 | 15 | 16 | 17 | 18 | 19 | 20 | 25 | 30 | 45 | 1 | 1.5 | 2 | 3 |
| CX-5MB | 115 | 0.333 | 0.277 | 0.268 | 0.261 | 0.253 | 0.246 | 0.240 | 0.234 | 0.228 | 0.223 | 0.218 | 0.213 | 0.192 | 0.175 | 0.141 | 0.119 | 0.092 | 0.076 | 0.057 |
| CX-7MB | 140 | 0.520 | 0.419 | 0.405 | 0.391 | 0.378 | 0.365 | 0.354 | 0.344 | 0.334 | 0.324 | 0.316 | 0.308 | 0.273 | 0.246 | 0.192 | 0.159 | 0.120 | 0.099 | 0.073 |
| CX-9MB | 200 | 0.761 | 0.591 | 0.566 | 0.543 | 0.522 | 0.502 | 0.484 | 0.468 | 0.452 | 0.438 | 0.425 | 0.412 | 0.361 | 0.322 | 0.247 | 0.204 | 0.156 | 0.129 | 0.097 |
| CX-11MB | 235 | 0.932 | 0.728 | 0.698 | 0.670 | 0.644 | 0.620 | 0.598 | 0.578 | 0.559 | 0.541 | 0.525 | 0.509 | 0.446 | 0.398 | 0.304 | 0.249 | 0.189 | 0.155 | 0.116 |
| CX-13MB | 265 | 1.098 | 0.862 | 0.827 | 0.795 | 0.764 | 0.736 | 0.710 | 0.686 | 0.664 | 0.643 | 0.623 | 0.604 | 0.529 | 0.471 | 0.358 | 0.293 | 0.220 | 0.180 | 0.133 |
| CX-15MB | 290 | 1.258 | 0.993 | 0.953 | 0.916 | 0.881 | 0.849 | 0.819 | 0.792 | 0.766 | 0.742 | 0.719 | 0.697 | 0.610 | 0.543 | 0.411 | 0.335 | 0.250 | 0.203 | 0.149 |

* Initial Capacity shall be a minimum of 100% of these values per IEEE 450. Values include intercell connector drop.
All data subject to change without notice.

1.250 Specific Gravity
Discharge Rates in kW per Cell to 1.63Vpc at 25°C (77°F)*

| DataSafe® CX-M battery Type | Nom Ah | Standby Time (Minutes) | | | | | | | | | | | | | | | Standby Time (Hours) | | | |
|-----------------------------------|--------|------------------------|-------|-------|-------|-------|-------|-------|-------|-------|-------|-------|-------|-------|-------|-------|----------------------|-------|-------|-------|
| | | 5 | 10 | 11 | 12 | 13 | 14 | 15 | 16 | 17 | 18 | 19 | 20 | 25 | 30 | 45 | 1 | 1.5 | 2 | 3 |
| CX-5MB | 115 | 0.341 | 0.281 | 0.272 | 0.264 | 0.256 | 0.249 | 0.242 | 0.236 | 0.230 | 0.224 | 0.219 | 0.214 | 0.193 | 0.176 | 0.141 | 0.119 | 0.092 | 0.076 | 0.057 |
| CX-7MB | 140 | 0.538 | 0.429 | 0.413 | 0.398 | 0.384 | 0.371 | 0.359 | 0.347 | 0.337 | 0.327 | 0.318 | 0.310 | 0.274 | 0.247 | 0.192 | 0.159 | 0.120 | 0.099 | 0.073 |
| CX-9MB | 200 | 0.804 | 0.612 | 0.584 | 0.559 | 0.536 | 0.514 | 0.494 | 0.476 | 0.459 | 0.444 | 0.430 | 0.417 | 0.362 | 0.322 | 0.247 | 0.204 | 0.156 | 0.129 | 0.097 |
| CX-11MB | 235 | 0.984 | 0.755 | 0.721 | 0.690 | 0.662 | 0.635 | 0.611 | 0.588 | 0.568 | 0.549 | 0.532 | 0.516 | 0.448 | 0.398 | 0.304 | 0.249 | 0.189 | 0.155 | 0.116 |
| CX-13MB | 265 | 1.159 | 0.895 | 0.856 | 0.819 | 0.786 | 0.755 | 0.726 | 0.699 | 0.675 | 0.653 | 0.633 | 0.613 | 0.532 | 0.472 | 0.358 | 0.293 | 0.220 | 0.180 | 0.133 |
| CX-15MB | 290 | 1.328 | 1.031 | 0.987 | 0.946 | 0.907 | 0.871 | 0.838 | 0.808 | 0.781 | 0.755 | 0.731 | 0.709 | 0.615 | 0.544 | 0.411 | 0.335 | 0.250 | 0.203 | 0.149 |

1.250 Specific Gravity
Discharge Rates in kW per Cell to 1.60Vpc at 25°C (77°F)*

| DataSafe® CX-M battery Type | Nom Ah | Standby Time (Minutes) | | | | | | | | | | | | | | | Standby Time (Hours) | | | |
|-----------------------------------|--------|------------------------|-------|-------|-------|-------|-------|-------|-------|-------|-------|-------|-------|-------|-------|-------|----------------------|-------|-------|-------|
| | | 5 | 10 | 11 | 12 | 13 | 14 | 15 | 16 | 17 | 18 | 19 | 20 | 25 | 30 | 45 | 1 | 1.5 | 2 | 3 |
| CX-5MB | 115 | 0.341 | 0.283 | 0.273 | 0.265 | 0.257 | 0.250 | 0.243 | 0.236 | 0.230 | 0.225 | 0.219 | 0.214 | 0.193 | 0.176 | 0.141 | 0.119 | 0.092 | 0.076 | 0.057 |
| CX-7MB | 140 | 0.548 | 0.433 | 0.416 | 0.400 | 0.386 | 0.372 | 0.360 | 0.349 | 0.338 | 0.328 | 0.319 | 0.310 | 0.274 | 0.247 | 0.192 | 0.159 | 0.120 | 0.099 | 0.073 |
| CX-9MB | 200 | 0.833 | 0.623 | 0.593 | 0.566 | 0.542 | 0.519 | 0.499 | 0.479 | 0.461 | 0.446 | 0.431 | 0.417 | 0.362 | 0.322 | 0.247 | 0.204 | 0.156 | 0.129 | 0.097 |
| CX-11MB | 235 | 1.019 | 0.769 | 0.733 | 0.700 | 0.670 | 0.642 | 0.617 | 0.593 | 0.572 | 0.552 | 0.534 | 0.516 | 0.448 | 0.398 | 0.304 | 0.249 | 0.189 | 0.155 | 0.116 |
| CX-13MB | 265 | 1.200 | 0.912 | 0.870 | 0.832 | 0.796 | 0.764 | 0.734 | 0.706 | 0.680 | 0.657 | 0.635 | 0.614 | 0.532 | 0.472 | 0.358 | 0.293 | 0.220 | 0.180 | 0.133 |
| CX-15MB | 290 | 1.373 | 1.052 | 1.005 | 0.960 | 0.920 | 0.882 | 0.848 | 0.816 | 0.787 | 0.760 | 0.735 | 0.711 | 0.615 | 0.544 | 0.411 | 0.335 | 0.250 | 0.203 | 0.149 |

1.215 Specific Gravity
Discharge Rates in kW per Cell to 1.75Vpc at 25°C (77°F)*

| DataSafe® CX-M battery Type | Nom Ah | Standby Time (Minutes) | | | | | | | | | | | | | | | Standby Time (Hours) | | | |
|-----------------------------------|--------|------------------------|-------|-------|-------|-------|-------|-------|-------|-------|-------|-------|-------|-------|-------|-------|----------------------|-------|-------|-------|
| | | 5 | 10 | 11 | 12 | 13 | 14 | 15 | 16 | 17 | 18 | 19 | 20 | 25 | 30 | 45 | 1 | 1.5 | 2 | 3 |
| CX-5M | 105 | 0.271 | 0.227 | 0.221 | 0.215 | 0.209 | 0.204 | 0.199 | 0.195 | 0.190 | 0.186 | 0.183 | 0.179 | 0.163 | 0.150 | 0.122 | 0.104 | 0.082 | 0.068 | 0.051 |
| CX-7M | 130 | 0.415 | 0.341 | 0.330 | 0.320 | 0.310 | 0.301 | 0.293 | 0.285 | 0.278 | 0.271 | 0.264 | 0.258 | 0.232 | 0.210 | 0.167 | 0.140 | 0.107 | 0.088 | 0.065 |
| CX-9M | 185 | 0.585 | 0.468 | 0.450 | 0.434 | 0.420 | 0.406 | 0.394 | 0.382 | 0.370 | 0.360 | 0.351 | 0.342 | 0.304 | 0.274 | 0.216 | 0.180 | 0.139 | 0.116 | 0.088 |
| CX-11M | 215 | 0.713 | 0.574 | 0.553 | 0.534 | 0.516 | 0.500 | 0.484 | 0.470 | 0.456 | 0.443 | 0.432 | 0.421 | 0.374 | 0.336 | 0.263 | 0.219 | 0.168 | 0.139 | 0.104 |
| CX-13M | 240 | 0.840 | 0.679 | 0.655 | 0.632 | 0.611 | 0.592 | 0.574 | 0.556 | 0.540 | 0.526 | 0.512 | 0.499 | 0.442 | 0.398 | 0.310 | 0.257 | 0.196 | 0.161 | 0.119 |
| CX-15M | 260 | 0.960 | 0.780 | 0.752 | 0.727 | 0.703 | 0.680 | 0.660 | 0.640 | 0.621 | 0.605 | 0.589 | 0.574 | 0.508 | 0.457 | 0.354 | 0.293 | 0.220 | 0.180 | 0.133 |

* Initial Capacity shall be a minimum of 100% of these values per IEEE 450. Values include intercell connector drop.
All data subject to change without notice.

1.215 Specific Gravity
Discharge Rates in kW per Cell to 1.70Vpc at 25°C (77°F)*

| DataSafe® CX-M battery Type | Standby Time (Minutes) | | | | | | | | | | | | | | | | Standby Time (Hours) | | | |
|-----------------------------------|------------------------|-------|-------|-------|-------|-------|-------|-------|-------|-------|-------|-------|-------|-------|-------|-------|----------------------|-------|-------|-------|
| | Nom Ah | 5 | 10 | 11 | 12 | 13 | 14 | 15 | 16 | 17 | 18 | 19 | 20 | 25 | 30 | 45 | 1 | 1.5 | 2 | 3 |
| CX-5M | 105 | 0.288 | 0.239 | 0.232 | 0.225 | 0.219 | 0.213 | 0.208 | 0.203 | 0.198 | 0.193 | 0.189 | 0.185 | 0.168 | 0.154 | 0.125 | 0.106 | 0.082 | 0.068 | 0.051 |
| CX-7M | 130 | 0.453 | 0.365 | 0.352 | 0.340 | 0.328 | 0.318 | 0.309 | 0.300 | 0.291 | 0.284 | 0.276 | 0.269 | 0.240 | 0.217 | 0.171 | 0.142 | 0.108 | 0.088 | 0.065 |
| CX-9M | 185 | 0.652 | 0.507 | 0.486 | 0.466 | 0.448 | 0.432 | 0.417 | 0.403 | 0.390 | 0.379 | 0.367 | 0.357 | 0.315 | 0.282 | 0.219 | 0.182 | 0.139 | 0.116 | 0.088 |
| CX-11M | 215 | 0.797 | 0.625 | 0.600 | 0.576 | 0.554 | 0.534 | 0.516 | 0.499 | 0.483 | 0.469 | 0.455 | 0.442 | 0.389 | 0.348 | 0.269 | 0.222 | 0.168 | 0.139 | 0.104 |
| CX-13M | 240 | 0.939 | 0.742 | 0.712 | 0.685 | 0.659 | 0.635 | 0.614 | 0.594 | 0.575 | 0.558 | 0.541 | 0.526 | 0.463 | 0.413 | 0.318 | 0.262 | 0.197 | 0.161 | 0.119 |
| CX-15M | 260 | 1.075 | 0.855 | 0.821 | 0.790 | 0.760 | 0.734 | 0.709 | 0.686 | 0.665 | 0.644 | 0.625 | 0.608 | 0.534 | 0.476 | 0.365 | 0.299 | 0.223 | 0.181 | 0.133 |

1.215 Specific Gravity
Discharge Rates in kW per Cell to 1.67Vpc at 25°C (77°F)*

| DataSafe® CX-M battery Type | Standby Time (Minutes) | | | | | | | | | | | | | | | | Standby Time (Hours) | | | |
|-----------------------------------|------------------------|-------|-------|-------|-------|-------|-------|-------|-------|-------|-------|-------|-------|-------|-------|-------|----------------------|-------|-------|-------|
| | Nom Ah | 5 | 10 | 11 | 12 | 13 | 14 | 15 | 16 | 17 | 18 | 19 | 20 | 25 | 30 | 45 | 1 | 1.5 | 2 | 3 |
| CX-5M | 105 | 0.295 | 0.243 | 0.236 | 0.229 | 0.222 | 0.216 | 0.210 | 0.205 | 0.200 | 0.195 | 0.191 | 0.187 | 0.169 | 0.155 | 0.125 | 0.106 | 0.082 | 0.068 | 0.051 |
| CX-7M | 130 | 0.470 | 0.374 | 0.360 | 0.347 | 0.336 | 0.324 | 0.314 | 0.305 | 0.296 | 0.288 | 0.280 | 0.273 | 0.243 | 0.219 | 0.171 | 0.142 | 0.108 | 0.088 | 0.065 |
| CX-9M | 185 | 0.687 | 0.524 | 0.501 | 0.480 | 0.460 | 0.442 | 0.425 | 0.411 | 0.397 | 0.385 | 0.373 | 0.362 | 0.317 | 0.283 | 0.219 | 0.182 | 0.139 | 0.116 | 0.088 |
| CX-11M | 215 | 0.840 | 0.648 | 0.620 | 0.594 | 0.570 | 0.548 | 0.528 | 0.510 | 0.493 | 0.478 | 0.463 | 0.449 | 0.394 | 0.351 | 0.269 | 0.222 | 0.168 | 0.139 | 0.104 |
| CX-13M | 240 | 0.991 | 0.770 | 0.737 | 0.707 | 0.679 | 0.654 | 0.630 | 0.608 | 0.588 | 0.570 | 0.552 | 0.536 | 0.469 | 0.418 | 0.319 | 0.262 | 0.197 | 0.161 | 0.119 |
| CX-15M | 260 | 1.135 | 0.890 | 0.852 | 0.817 | 0.786 | 0.756 | 0.729 | 0.705 | 0.682 | 0.660 | 0.640 | 0.621 | 0.543 | 0.483 | 0.367 | 0.299 | 0.223 | 0.181 | 0.133 |

1.215 Specific Gravity
Discharge Rates in kW per Cell to 1.63Vpc at 25°C (77°F)*

| DataSafe® CX-M battery Type | Standby Time (Minutes) | | | | | | | | | | | | | | | | Standby Time (Hours) | | | |
|-----------------------------------|------------------------|-------|-------|-------|-------|-------|-------|-------|-------|-------|-------|-------|-------|-------|-------|-------|----------------------|-------|-------|-------|
| | Nom Ah | 5 | 10 | 11 | 12 | 13 | 14 | 15 | 16 | 17 | 18 | 19 | 20 | 25 | 30 | 45 | 1 | 1.5 | 2 | 3 |
| CX-5M | 105 | 0.297 | 0.246 | 0.238 | 0.230 | 0.224 | 0.218 | 0.212 | 0.206 | 0.201 | 0.196 | 0.192 | 0.187 | 0.169 | 0.155 | 0.125 | 0.106 | 0.082 | 0.068 | 0.051 |
| CX-7M | 130 | 0.487 | 0.381 | 0.367 | 0.353 | 0.340 | 0.329 | 0.318 | 0.308 | 0.299 | 0.290 | 0.282 | 0.275 | 0.243 | 0.219 | 0.171 | 0.142 | 0.108 | 0.088 | 0.065 |
| CX-9M | 185 | 0.727 | 0.539 | 0.514 | 0.491 | 0.470 | 0.451 | 0.433 | 0.417 | 0.402 | 0.389 | 0.376 | 0.365 | 0.318 | 0.283 | 0.219 | 0.182 | 0.139 | 0.116 | 0.088 |
| CX-11M | 215 | 0.891 | 0.669 | 0.638 | 0.610 | 0.585 | 0.561 | 0.539 | 0.519 | 0.501 | 0.484 | 0.469 | 0.454 | 0.395 | 0.351 | 0.269 | 0.222 | 0.168 | 0.139 | 0.104 |
| CX-13M | 240 | 1.051 | 0.798 | 0.762 | 0.728 | 0.698 | 0.670 | 0.644 | 0.620 | 0.599 | 0.579 | 0.561 | 0.543 | 0.472 | 0.419 | 0.319 | 0.262 | 0.197 | 0.161 | 0.119 |
| CX-15M | 260 | 1.205 | 0.924 | 0.883 | 0.845 | 0.810 | 0.788 | 0.748 | 0.721 | 0.696 | 0.673 | 0.651 | 0.631 | 0.549 | 0.485 | 0.367 | 0.299 | 0.223 | 0.181 | 0.133 |

* Initial Capacity shall be a minimum of 100% of these values per IEEE 450. Values include intercell connector drop.
All data subject to change without notice.

1.215 Specific Gravity

Discharge Rates in kW per Cell to 1.60Vpc at 25°C (77°F)*

| DataSafe® CX-M battery Type | Nom Ah | Standby Time (Minutes) | | | | | | | | | | | | | | | Standby Time (Hours) | | | |
|-----------------------------------|--------|------------------------|-------|-------|-------|-------|-------|-------|-------|-------|-------|-------|-------|-------|-------|-------|----------------------|-------|-------|-------|
| | | 5 | 10 | 11 | 12 | 13 | 14 | 15 | 16 | 17 | 18 | 19 | 20 | 25 | 30 | 45 | 1 | 1.5 | 2 | 3 |
| CX-5M | 105 | 0.297 | 0.246 | 0.238 | 0.230 | 0.224 | 0.218 | 0.212 | 0.206 | 0.201 | 0.196 | 0.192 | 0.187 | 0.169 | 0.155 | 0.125 | 0.106 | 0.082 | 0.068 | 0.051 |
| CX-7M | 130 | 0.495 | 0.384 | 0.368 | 0.354 | 0.342 | 0.330 | 0.319 | 0.309 | 0.299 | 0.291 | 0.283 | 0.275 | 0.243 | 0.219 | 0.171 | 0.142 | 0.108 | 0.088 | 0.065 |
| CX-9M | 185 | 0.752 | 0.548 | 0.520 | 0.496 | 0.474 | 0.454 | 0.435 | 0.418 | 0.402 | 0.389 | 0.376 | 0.365 | 0.318 | 0.283 | 0.219 | 0.182 | 0.139 | 0.116 | 0.088 |
| CX-11M | 215 | 0.923 | 0.681 | 0.647 | 0.618 | 0.591 | 0.566 | 0.543 | 0.522 | 0.503 | 0.485 | 0.470 | 0.455 | 0.395 | 0.351 | 0.269 | 0.222 | 0.168 | 0.139 | 0.104 |
| CX-13M | 240 | 1.090 | 0.813 | 0.774 | 0.739 | 0.707 | 0.678 | 0.650 | 0.625 | 0.603 | 0.582 | 0.563 | 0.545 | 0.472 | 0.419 | 0.319 | 0.262 | 0.197 | 0.161 | 0.119 |
| CX-15M | 260 | 1.251 | 0.942 | 0.898 | 0.859 | 0.822 | 0.788 | 0.757 | 0.728 | 0.701 | 0.678 | 0.655 | 0.634 | 0.549 | 0.485 | 0.367 | 0.299 | 0.223 | 0.181 | 0.133 |

* Initial Capacity shall be a minimum of 100% of these values per IEEE 450. Values include intercell connector drop.
All data subject to change without notice.



www.enersys.com

EnerSys
2366 Bernville Road
Reading, PA 19605
USA
Tel: +1-610-208-1991
+1-800-538-3627
Fax: +1-610-372-8613

EnerSys EMEA
Löwenstrasse 32
8001 Zürich - Switzerland
Tel: +41 44 215 74 10

EnerSys Asia
152 Beach Road
Gateway East Building #11-03
Singapore 189721
Tel: +65 6508 1780

Represented by:

Printed in U.S.A.

© 2012 EnerSys. All rights reserved.

Trademarks and logos are the property of EnerSys and its affiliates, except ISO™ and Slide-Lock™, which are not the property of EnerSys.