

MOTIVE POWER



## Long Life

Flooded Motive Batteries - DIN, BS & BCI

**POWER FOR TOMORROW TODAY**

## Long Life Batteries

**With an extensive product range available Eternity Technologies prides itself on world-class product design, production processes, technical development, cost structure and global location.**

Eternity Technologies have brought together the latest manufacturing processes and modern design criteria to deliver the Eternity Technologies Motive Long Life range, designed to meet the ever changing demands of the Global Motive Power market.

## Long Life Technology

### Positive plate

High energy density tubular positive plate

### Separator

Microporous polyethylene separator design delivers increased acid volumes

### Negative plate

Industry leading negative plate design



### Gauntlet

Non-woven, high-capacity polyester gauntlet

### Sealing washer

Thermoplastic elastomer (TPE) sealing washer utilised for leak free sealing of the terminal

### Base prism

Rigid polypropylene prism to collect dislodged active material preventing bottom edge shorts

## Features of Long Life Batteries...

Lead-acid vented batteries with liquid electrolyte

Capacity for DIN product range: 100 – 1550Ah

Capacity for BS product range: 84 – 1296Ah

Capacity for BCI product range: 180 – 2240Ah

Non-woven tubular sleeving helps to increase productivity while maximising performance

Modern tubular design maximises the active lead material and delivers optimised energy

The latest separator design delivers increased acid volumes and increases acid circulation

Fully insulated terminals

### Compliant with

EN602-54-1 & EN60-254-2, IEC254-1 & IEC254-2

## Applications...

Forklift Trucks

Electric Vehicles

Cleaning Machines

Lifting Platforms

Road Vehicles / Tow Tractors

& other electric vehicles with high energy / deep cycle requirements



# DIN Cells (Standard) - Weight, Capacity and Dimension Charts

## Bolted 198mm wide

50 Ah Plate H1=260 mm H2=290 mm			
Cell type	Ah (C5)	Weight (kg)	Length (mm)
2 PzS-ET 100	100	6.0	47
3 PzS-ET 150	150	8.7	65
4 PzS-ET 200	200	11.1	83
5 PzS-ET 250	250	13.9	101
6 PzS-ET 300	300	16.4	119
7 PzS-ET 350	350	18.7	137
8 PzS-ET 400	400	21.1	155
9 PzS-ET 450	450	23.9	173
10 PzS-ET 500	500	26.1	191

60 Ah Plate H1=333.5 mm H2=363.5 mm			
Cell type	Ah (C5)	Weight (kg)	Length (mm)
2 PzS-ET 120	120	8.3	47
3 PzS-ET 180	180	11.5	65
4 PzS-ET 240	240	15.0	83
5 PzS-ET 300	300	18.5	101
6 PzS-ET 360	360	22.3	119
7 PzS-ET 420	420	24.8	137
8 PzS-ET 480	480	28.7	155
9 PzS-ET 540	540	31.9	173
10 PzS-ET 600	600	35.1	191

80 Ah Plate H1=396.5 mm H2=426.5 mm			
Cell type	Ah (C5)	Weight (kg)	Length (mm)
2 PzS-ET 160	160	9.7	47
3 PzS-ET 240	240	14.0	65
4 PzS-ET 320	320	18.2	83
5 PzS-ET 400	400	22.3	101
6 PzS-ET 480	480	26.3	119
7 PzS-ET 560	560	30.5	137
8 PzS-ET 640	640	34.9	155
9 PzS-ET 720	720	38.9	173
10 PzS-ET 800	800	43.0	191

90 Ah Plate H1=463.5 mm H2=493.5 mm			
Cell type	Ah (C5)	Weight (kg)	Length (mm)
2 PzS-ET 180	180	11.1	47
3 PzS-ET 270	270	15.9	65
4 PzS-ET 360	360	20.5	83
5 PzS-ET 450	450	25.6	101
6 PzS-ET 540	540	30.1	119
7 PzS-ET 630	630	34.5	137
8 PzS-ET 720	720	39.0	155
9 PzS-ET 810	810	43.8	173
10 PzS-ET 900	900	48.4	191

105 Ah Plate H1=511.5 mm H2=541.5 mm			
Cell type	Ah (C5)	Weight (kg)	Length (mm)
2 PzS-ET 210	210	12.8	47
3 PzS-ET 315	315	18.1	65
4 PzS-ET 420	420	23.5	83
5 PzS-ET 525	525	28.5	101
6 PzS-ET 630	630	34.1	119
7 PzS-ET 735	735	39.4	137
8 PzS-ET 840	840	44.8	155
9 PzS-ET 945	945	49.8	173
10 PzS-ET 1050	1050	55.1	191

115 Ah Plate H1=542.5 mm H2=572.5 mm			
Cell type	Ah (C5)	Weight (kg)	Length (mm)
2 PzS-ET 230	230	13.3	47
3 PzS-ET 345	345	18.7	65
4 PzS-ET 460	460	25.1	83
5 PzS-ET 575	575	30.2	101
6 PzS-ET 690	690	35.4	119
7 PzS-ET 805	805	41.3	137
8 PzS-ET 920	920	47.0	155
9 PzS-ET 1035	1035	52.3	173
10 PzS-ET 1150	1150	58.2	191

125 Ah Plate H1=569 mm H2=599 mm			
Cell type	Ah (C5)	Weight (kg)	Length (mm)
2 PzS-ET 250	250	14.8	47
3 PzS-ET 375	375	20.4	65
4 PzS-ET 500	500	26.4	83
5 PzS-ET 625	625	32.7	101
6 PzS-ET 750	750	39.1	119
7 PzS-ET 875	875	43.6	137
8 PzS-ET 1000	1000	51.4	155
9 PzS-ET 1125	1125	57.1	173
10 PzS-ET 1250	1250	63.3	191

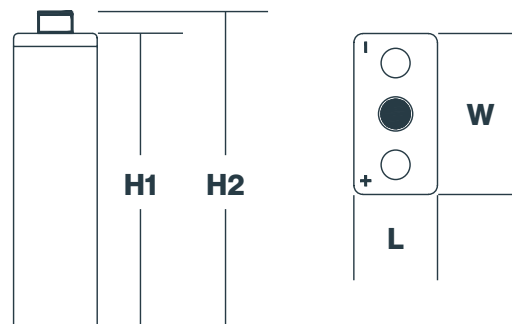
140 Ah Plate H1=683.5 mm H2=713.5 mm			
Cell type	Ah (C5)	Weight (kg)	Length (mm)
2 PzS-ET 280	280	16.0	47
3 PzS-ET 420	420	23.0	65
4 PzS-ET 560	560	30.1	83
5 PzS-ET 700	700	37.0	101
6 PzS-ET 840	840	44.7	119
7 PzS-ET 980	980	50.7	137
8 PzS-ET 1120	1120	58.1	155
9 PzS-ET 1260	1260	64.7	173
10 PzS-ET 1400	1400	71.9	191

155 Ah Plate H1=713.5 mm H2=743.5 mm			
Cell type	Ah (C5)	Weight (kg)	Length (mm)
2 PzS-ET 310	310	17.5	47
3 PzS-ET 465	465	25.5	65
4 PzS-ET 620	620	33.8	83
5 PzS-ET 775	775	39.6	101
6 PzS-ET 930	930	48.0	119
7 PzS-ET 1085	1085	55.6	137
8 PzS-ET 1240	1240	63.0	155
9 PzS-ET 1395	1395	70.2	173
10 PzS-ET 1550	1550	78.3	191

(Applicable for DIN & BS)

**± 5% weight tolerance**  
**H1: Height over lid**  
**H2: Overall height including connector and bolt**  
**Torque: 23Nm**

Not to scale



# BS Cells (Standard) - Weight, Capacity and Dimension Charts

## Bolted 158mm wide

42 Ah Plate		H1=325 mm H2=355mm	
Cell type	Ah (C5)	Weight (kg)	Length (mm)
2 PzB-ET 84	84	6.1	46
3 PzB-ET 126	126	8.4	62
4 PzB-ET 168	168	10.7	78
5 PzB-ET 210	210	12.8	94
6 PzB-ET 252	252	15.3	110
7 PzB-ET 294	294	17.7	126
8 PzB-ET 336	336	20.0	142
9 PzB-ET 378	378	22.4	158
10 PzB-ET 420	420	24.8	174
11 PzB-ET 462	462	27.1	190
12 PzB-ET 504	504	29.4	206

55 Ah Plate		H1=402 mm H2=432 mm	
Cell type	Ah (C5)	Weight (kg)	Length (mm)
2 PzB-ET 110	110	7.5	46
3 PzB-ET 165	165	10.3	62
4 PzB-ET 220	220	13.2	78
5 PzB-ET 275	275	16.3	94
6 PzB-ET 330	330	19.3	110
7 PzB-ET 385	385	21.7	126
8 PzB-ET 440	440	24.9	142
9 PzB-ET 495	495	28.3	158
10 PzB-ET 550	550	30.5	174

65 Ah Plate		H1=454 mm H2=484 mm	
Cell type	Ah (C5)	Weight (kg)	Length (mm)
2 PzB-ET 130	130	8.3	46
3 PzB-ET 195	195	11.9	62
4 PzB-ET 260	260	15.1	78
5 PzB-ET 325	325	18.5	94
6 PzB-ET 390	390	21.8	110
7 PzB-ET 455	455	25.3	126
8 PzB-ET 520	520	28.2	142
9 PzB-ET 585	585	32.0	158
10 PzB-ET 650	650	35.6	174

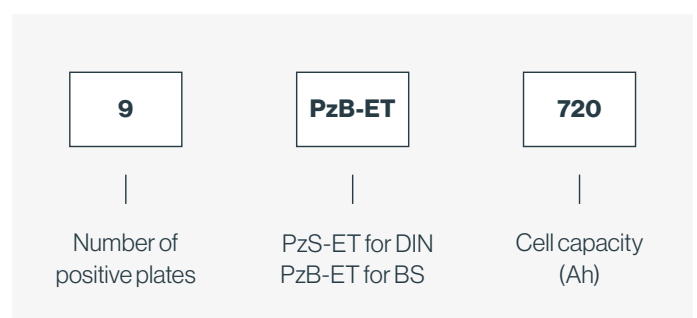
75 Ah Plate		H1=515 mm H2=545 mm	
Cell type	Ah (C5)	Weight (kg)	Length (mm)
2 PzB-ET 150	150	9.6	46
3 PzB-ET 225	225	13.1	62
4 PzB-ET 300	300	17.2	78
5 PzB-ET 375	375	21.1	94
6 PzB-ET 450	450	24.9	110
7 PzB-ET 525	525	28.6	126
8 PzB-ET 600	600	32.8	142
9 PzB-ET 675	675	36.2	158
10 PzB-ET 750	750	40.2	174
11 PzB-ET 825	825	43.5	190
12 PzB-ET 900	900	48.3	206

80 Ah Plate		H1=515 mm H2=545 mm	
Cell type	Ah (C5)	Weight (kg)	Length (mm)
2 PzB-ET 160	160	9.8	46
3 PzB-ET 240	240	13.7	62
4 PzB-ET 320	320	17.6	78
5 PzB-ET 400	400	21.3	94
6 PzB-ET 480	480	25.5	110
7 PzB-ET 560	560	29.3	126
8 PzB-ET 640	640	33.4	142
9 PzB-ET 720	720	37.3	158
10 PzB-ET 800	800	41.5	174

86 Ah Plate		H1=568 mm H2=598 mm	
Cell type	Ah (C5)	Weight (kg)	Length (mm)
2 PzB-ET 172	172	10.8	46
3 PzB-ET 258	258	14.9	62
4 PzB-ET 344	344	19.3	78
5 PzB-ET 430	430	23.6	94
6 PzB-ET 516	516	28.0	110
7 PzB-ET 602	602	31.9	126
8 PzB-ET 688	688	36.3	142
9 PzB-ET 774	774	40.6	158
10 PzB-ET 860	860	45.1	174

100 Ah Plate		H1=600.5 mm H2=630.5 mm	
Cell type	Ah (C5)	Weight (kg)	Length (mm)
2 PzB-ET 200	200	11.4	46
3 PzB-ET 300	300	15.9	62
4 PzB-ET 400	400	20.7	78
5 PzB-ET 500	500	25.3	94
6 PzB-ET 600	600	29.6	110
7 PzB-ET 700	700	34.4	126
8 PzB-ET 800	800	39.3	142
9 PzB-ET 900	900	43.5	158
10 PzB-ET 1000	1000	48.7	174
11 PzB-ET 1100	1100	53.2	190
12 PzB-ET 1200	1200	57.5	206

108 Ah Plate		H1=687 mm H2=717 mm	
Cell type	Ah (C5)	Weight (kg)	Length (mm)
2 PzB-ET 216	216	13.0	46
3 PzB-ET 324	324	18.1	62
4 PzB-ET 432	432	23.2	78
5 PzB-ET 540	540	28.2	94
6 PzB-ET 648	648	33.5	110
7 PzB-ET 756	756	38.9	126
8 PzB-ET 864	864	44.6	142
9 PzB-ET 972	972	49.5	158
10 PzB-ET 1080	1080	54.8	174
11 PzB-ET 1188	1188	60.1	190
12 PzB-ET 1296	1296	65.3	206



# BCI Cells (Standard) - Weight, Capacity and Dimension Charts

## Bolted 158mm / 6.2 in wide

BCI-95						H1 = 523mm / 20.6in H2 = 551mm / 21.7in					
Cell type	Ah (C6)	Weight (kg)	Weight (lb)	Length (in)	Length (mm)						
BCI-95-5-ST	190	13.4	29.5	2	51						
BCI-95-7-ST	285	18.3	40.3	2.75	70						
BCI-95-9-ST	380	23.3	51.4	3.5	89						
BCI-95-11-ST	475	28.3	62.4	4.25	108						
BCI-95-13-ST	570	33.3	73.4	5	127						
BCI-95-15-ST	665	38.4	84.7	5.75	146						
BCI-95-17-ST	760	44.3	97.7	6.5	165						
BCI-95-19-ST	855	49.3	108.7	7.25	184						
BCI-95-21-ST	950	54.3	119.7	8	203						
BCI-95-23-ST	1045	59.3	130.7	8.75	222						
BCI-95-25-ST	1140	64.3	141.8	9.5	241						
BCI-95-27-ST	1235	69.4	153.0	10.25	260						
BCI-95-29-ST	1330	75.0	165.3	11	279						
BCI-95-31-ST	1425	80.0	176.4	11.75	298						
BCI-95-33-ST	1520	85.0	187.4	12.5	317						

BCI-110						H1 = 599mm / 23.6in H2 = 627mm / 24.7in					
Cell type	Ah (C6)	Weight (kg)	Weight (lb)	Length (in)	Length (mm)						
BCI-110-5-ST	220	14.9	32.8	2	51						
BCI-110-7-ST	330	20.3	44.8	2.75	70						
BCI-110-9-ST	440	25.7	56.7	3.5	89						
BCI-110-11-ST	550	31.1	68.6	4.25	108						
BCI-110-13-ST	660	36.6	80.7	5	127						
BCI-110-15-ST	770	42.2	93.0	5.75	146						
BCI-110-17-ST	880	48.9	107.8	6.5	165						
BCI-110-19-ST	990	54.4	119.9	7.25	184						
BCI-110-21-ST	1100	59.8	131.8	8	203						
BCI-110-23-ST	1210	65.3	144.0	8.75	222						
BCI-110-25-ST	1320	70.8	156.1	9.5	241						
BCI-110-27-ST	1430	76.3	168.2	10.25	260						
BCI-110-29-ST	1540	82.7	182.3	11	279						
BCI-110-31-ST	1650	88.2	194.4	11.75	298						
BCI-110-33-ST	1760	93.6	206.4	12.5	317						

BCI-135						H1 = 720mm / 28.3in H2 = 748mm / 29.4in					
Cell type	Ah (C6)	Weight (kg)	Weight (lb)	Length (in)	Length (mm)						
BCI-135-5-ST	270	18.0	39.7	2	51						
BCI-135-7-ST	405	24.7	54.5	2.75	70						
BCI-135-9-ST	540	31.4	69.2	3.5	89						
BCI-135-11-ST	675	38.2	84.2	4.25	108						
BCI-135-13-ST	810	44.9	99.0	5	127						
BCI-135-15-ST	945	51.9	114.4	5.75	146						
BCI-135-17-ST	1080	59.8	131.8	6.5	165						
BCI-135-19-ST	1215	66.6	146.8	7.25	184						
BCI-135-21-ST	1350	73.4	161.8	8	203						
BCI-135-23-ST	1485	80.1	176.6	8.75	222						
BCI-135-25-ST	1620	86.9	191.6	9.5	241						
BCI-135-27-ST	1755	93.7	206.6	10.25	260						
BCI-135-29-ST	1890	101.5	223.8	11	279						
BCI-135-31-ST	2025	108.3	238.8	11.75	298						
BCI-135-33-ST	2160	115.1	253.8	12.5	317						

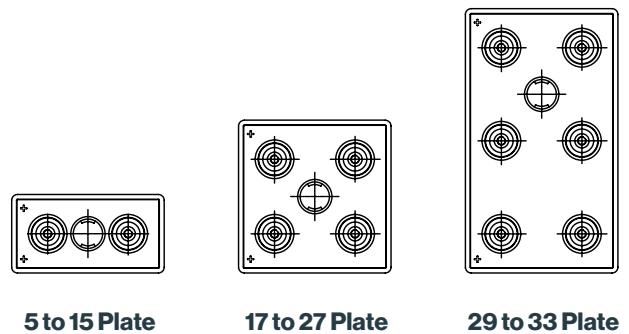
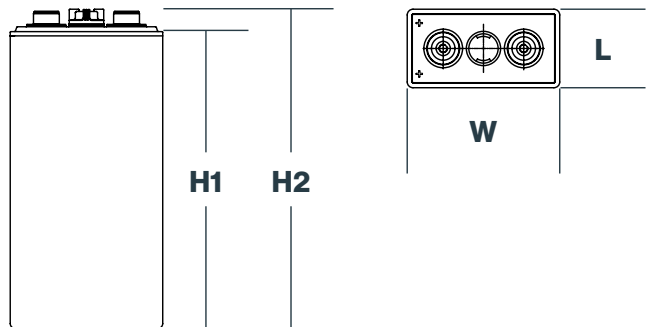
# BCI Cells (Enhanced Capacity) - Weight, Capacity and Dimension Charts

BCI-105					
H1 = 523mm / 20.6in H2 = 551mm / 21.7in					
Cell type	Ah (C6)	Weight (kg)	Weight (lb)	Length (in)	Length (mm)
BCI-105-5-EC	210	13.1	28.9	2	51
BCI-105-7-EC	315	18.2	40.1	2.75	70
BCI-105-9-EC	420	23.3	51.4	3.5	89
BCI-105-11-EC	525	28.5	62.8	4.25	108
BCI-105-13-EC	630	33.6	74.1	5	127
BCI-105-15-EC	735	38.9	85.8	5.75	146
BCI-105-17-EC	840	44.6	98.3	6.5	165
BCI-105-19-EC	945	49.8	109.8	7.25	184
BCI-105-21-EC	1050	55.0	121.3	8	203
BCI-105-23-EC	1155	60.2	132.7	8.75	222
BCI-105-25-EC	1260	65.4	144.2	9.5	241
BCI-105-27-EC	1365	70.6	155.6	10.25	260
BCI-105-29-EC	1470	76.2	168.0	11	279
BCI-105-31-EC	1575	81.3	179.2	11.75	298
BCI-105-33-EC	1680	86.5	190.7	12.5	317

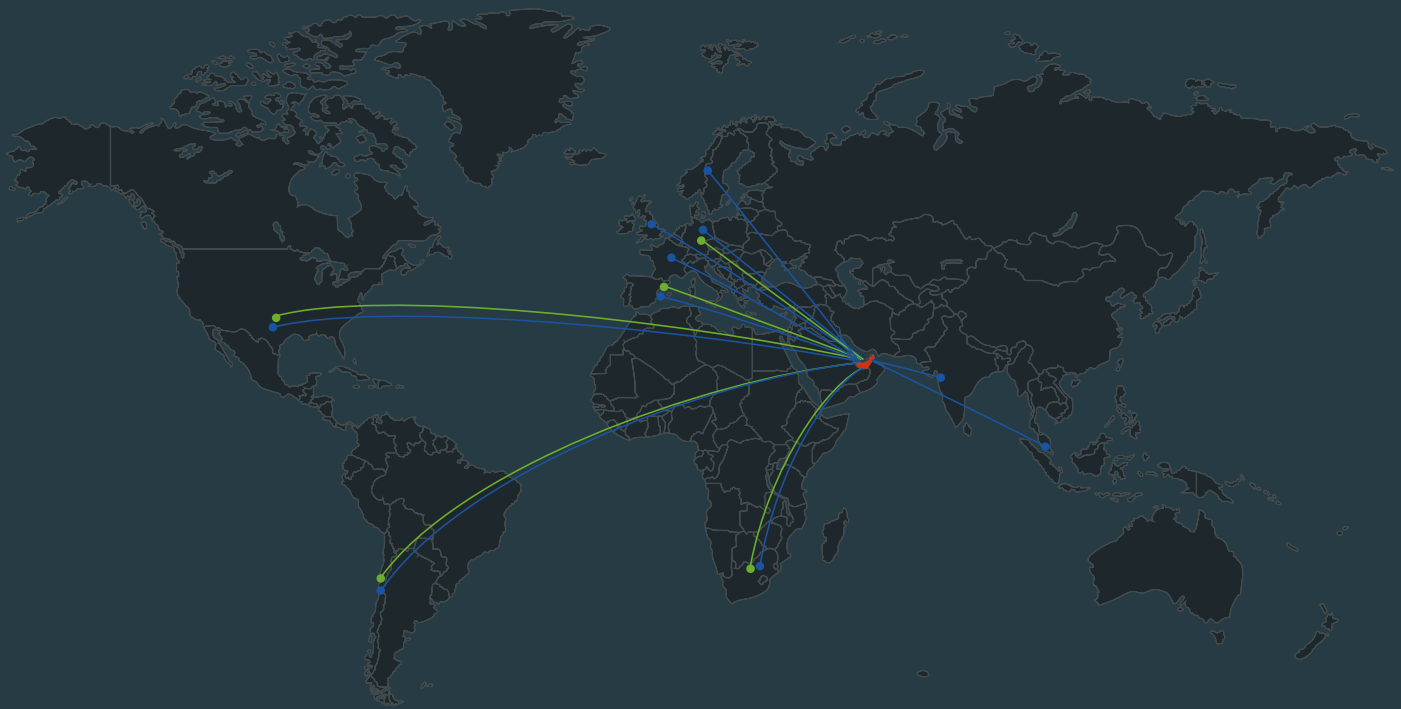
BCI-150					
H1 = 720mm / 28.3in H2 = 748mm / 29.4in					
Cell type	Ah (C6)	Weight (kg)	Weight (lb)	Length (in)	Length (mm)
BCI-150-5-EC	300	18.0	39.7	2	51
BCI-150-7-EC	450	25.1	55.3	2.75	70
BCI-150-9-EC	600	32.2	71.0	3.5	89
BCI-150-11-EC	750	39.3	86.6	4.25	108
BCI-150-13-EC	900	46.4	102.3	5	127
BCI-150-15-EC	1050	53.7	118.4	5.75	146
BCI-150-17-EC	1200	61.3	135.1	6.5	165
BCI-150-19-EC	1350	68.5	151.0	7.25	184
BCI-150-21-EC	1500	75.6	166.7	8	203
BCI-150-23-EC	1650	82.8	182.5	8.75	222
BCI-150-25-EC	1800	90.0	198.4	9.5	241
BCI-150-27-EC	1950	97.1	214.1	10.25	260
BCI-150-29-EC	2100	104.7	230.8	11	279
BCI-150-31-EC	2250	111.9	246.7	11.75	298
BCI-150-33-EC	2400	119.1	262.6	12.5	317

**± 5% weight tolerance**  
**W: 158mm (6.2 inches)**  
**H1: Height over lid**  
**H2: Overall height including connector and bolt**  
**Torque: 23 Nm**

Not to scale



**A global leader in the industrial battery market providing world-class products for Motive Power and Network Power applications.**



**Eternity Technologies FZ-LLC**

Al Jazeera / AlHamra, PO Box 35102,  
Ras Al Khaimah, UAE

**Sales & service**

[info@eternitytechnologies.com](mailto:info@eternitytechnologies.com)

[www.eternitytechnologies.com](http://www.eternitytechnologies.com)

