

10-1029

For telecommunications applications



#### FEATURES AND BENEFITS

##### High density

Compact design with rectifiers at up to 16.1 watts per cubic inch, minimizing space required for installation

##### Remote access (Optional)

Remotely monitor and control the complete power system, reducing trips to site and increasing uptime

##### Battery testing (Optional)

Automatic or on-demand battery testing, ensures batteries are functioning properly under real world load conditions

##### Battery Monitoring (Optional)

Continuous, individual cell level monitoring, providing 24 hour automated out-of-tolerance alarming and detailed identification by cell number

##### Programmable Battery recharge Current (Optional)

Programmable recharge current limit eliminates overcharging of standby batteries, extending their useful service life

##### Wide input Voltage range

Operating voltage range from 85 to 285 volts AC increases flexibility and ensures unit functions under diverse conditions

#### Common Family

The SAGEON®II Power Module is part of the SAGEON Family of DC Power Plants which all feature a common controller, monitor and control software, and remote communications modules; eliminating the learning curve.

The Sageon®II PM Distribution systems is another member of the Sageon Family, this distribution coupled with a Sageon®II Power Module gives you flexibility in mid range DC Power. The system capability ranges from 200A, 400A to 600A with a 20 breaker or 40 breaker distribution selections. As a member of the Sageon family, it has all the capabilities and performance of the Sageon controller functions and accessories.

The Sageon®II system comes ready to mount in a mid-mount configuration for installation into standard 19" or 23" relay racks. Flush mount options are available for use with our welded/tiered assemblies – 110.7010.00 & 110.7020.00 (see table D).

**THREE YEAR WARRANTY**

[www.unipowerco.com](http://www.unipowerco.com)

North America & CALA: +1 954-346-2442 • EMEA: +1 561-990-3830 • [sales@unipowerco.com](mailto:sales@unipowerco.com)

## SPECIFICATIONS

**INPUT AC:**

Voltage	Universal AC 85-300VAC (L-N, 1phase) Fully protected up to 440VAC (L-N)
Inrush Current	<16A RMS per rectifier
THD	Line Harmonics meet EN61000-3-2
Power Factor	>0.98 for >50% output power

**OUTPUT DC:**

Voltage	-48VDC systems, adjustable range 42.0V to 59.2V
Current limit	55A per 48V rectifier module, fully adjustable
Power limit	2400W per rectifier module
Efficiency	>90% at 50 to 100% output power for 48VDC systems
Regulation	±1% or better over line, load and temperature
Noise	<1mV RMS Psophometrically weighted <32dBnC Voiceband <10mV RMS and <100mV peak-to-peak (10kHz-100MHz)

**PROTECTION:**

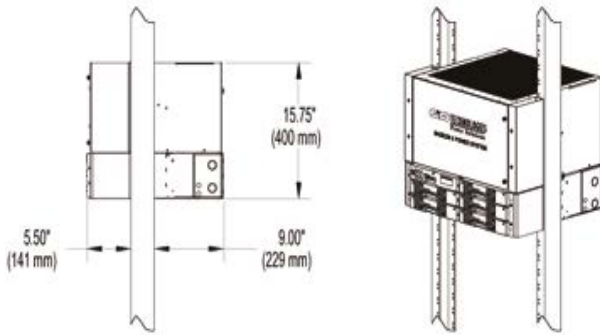
Short Circuit	Can sustain short circuit at output terminals indefinitely
Reverse Battery Polarity	Internal fuse at output of RECTIFIER
High Voltage Shutdown	Rectifier shuts down if output exceeds programmed overvoltage limit
Electrostatic Discharge (ESD)	IEC 61000-4-2 (Level 4: Air 15kV, Contact 8kV)
Regulation	±1% or better over line, load and temperature
AC Surge	IEC 61000-4-4 (EFT), Level 4 IEC 61000-4-5 (Impulse), Level X: 6kV/3kA IEC 61000-4-12 (Ringwave), Level X: 6kV/500A
RF immunity	IEC 61000-4-3 (Radiated), Level 4 IEC 61000-4-6 (Conducted), Level 3
RF emissions	CISPR 22 Class B, (Conducted & Radiated)

**ENVIRONMENTAL:**

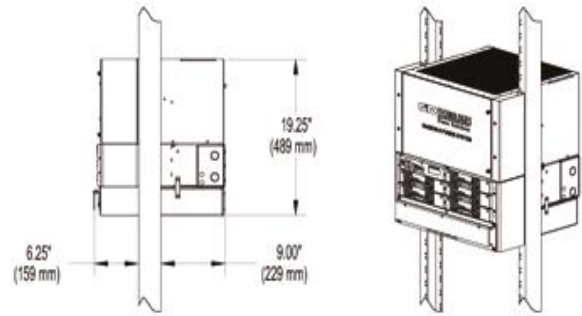
Operating	-40°F (-40°C) to +158°F (+70°C)
Full Power	-40°F (-40°C) to +131°F (+55°C)
Derated Operation	50% power at +149°F (+65°C)
Storage/Transport	-40°F (-40°C) to +158°F (+70°C)
Humidity	0 to 100% relative humidity, condensing
acoustic noise	< 60dB (A weighting)

**AGENCY COMPLIANCES:**

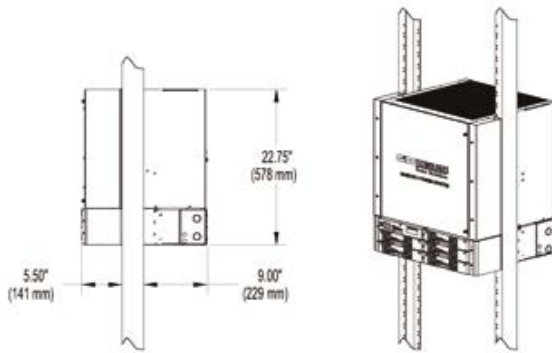
Safety	Designed to IEC 60950, UL/CSA 60950
EMC	ETSI EN 300 386 V1.3.2 (2002-12)
Environmental	ETSI EN 300 019



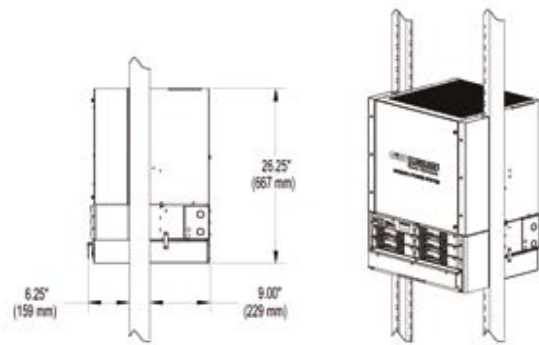
LIST 24-9RU  
61 LBS.



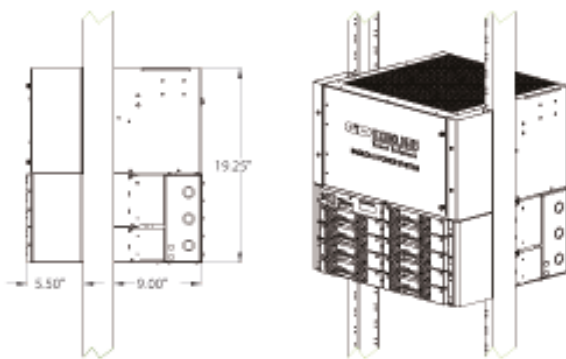
LIST 25-11RU  
81 LBS.



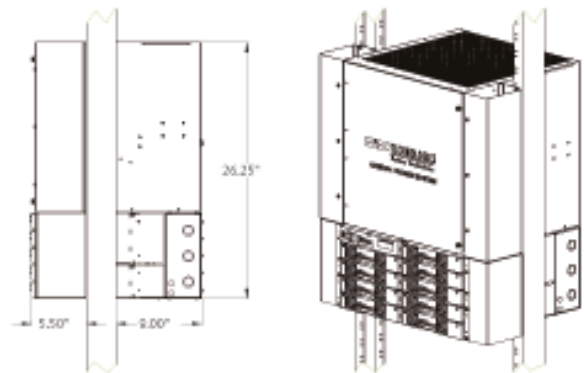
LIST 26-13RU  
81 LBS.



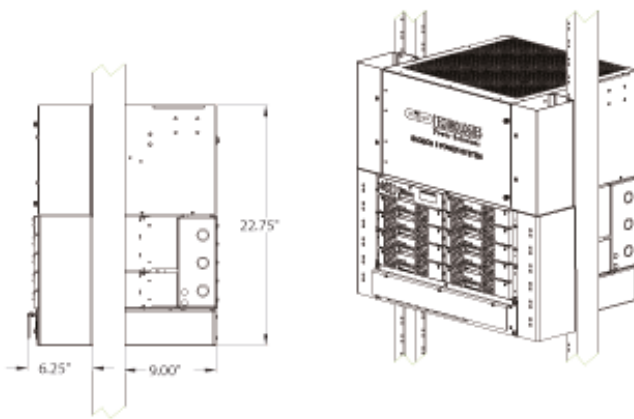
LIST 27-15RU  
101 LBS.



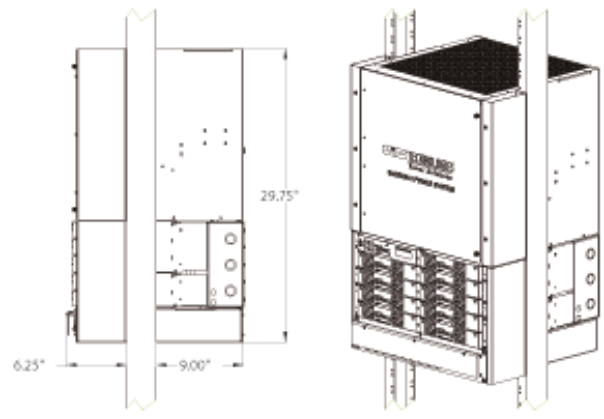
LIST 44-11RU  
81 LBS.



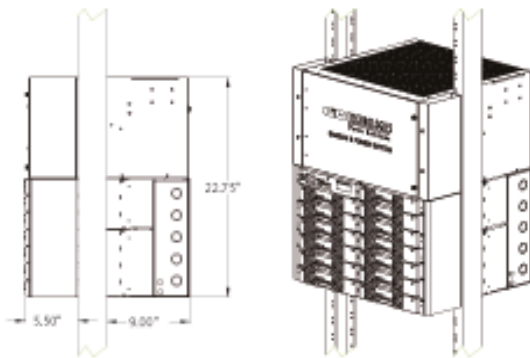
LIST 46-15RU  
101 LBS.



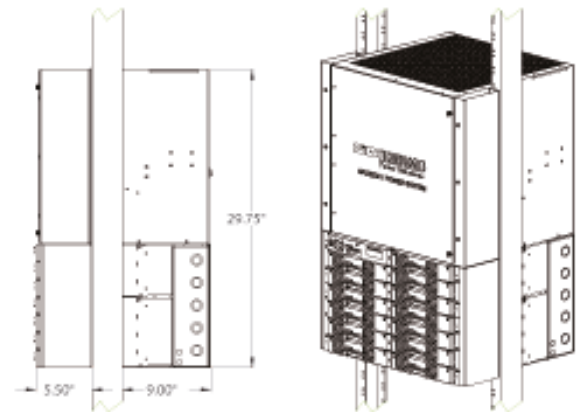
LIST 45-13RU  
101 LBS.



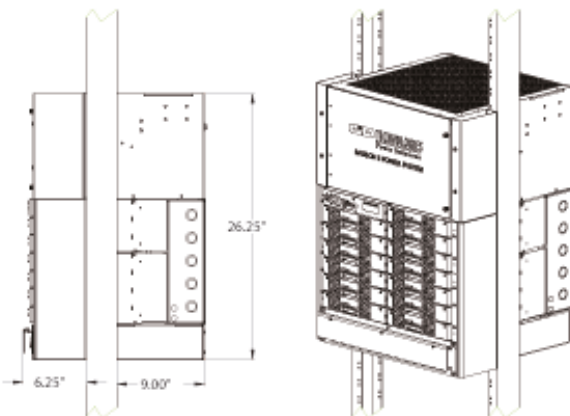
LIST 47-15RU  
101 LBS.



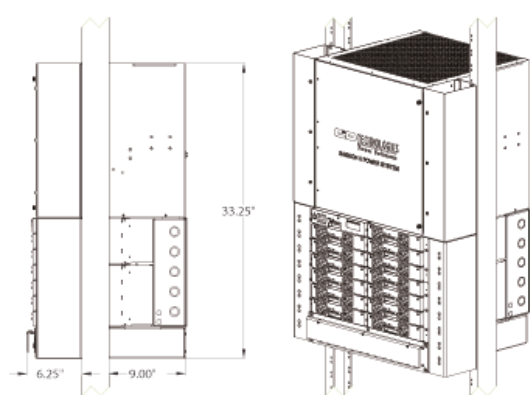
LIST 64-13RU  
86 LBS.



LIST 66-17RU  
106 LBS.



LIST 65-15RU  
106 LBS.



LIST 67-19RU  
126 LBS.

OPTION ORDERING

EQUIPMENT DESCRIPTION		PART NUMBER	LIST 24	LIST 25	LIST 26	LIST 27	LIST 44	LIST 45	LIST 46	LIST 47	LIST 64	LIST 65	LIST 66	LIST 67
AMPERAGE RATING	RACK MOUNTING 19" RACK MID MOUNT (ADD AN "F" TO THE PART NUMBER FOR FLUSH MOUNTING*)													
200A	SAGEON2.L24	385.5202.2419	X											
200A	SAGEON2.L25	385.5202.2519		X										
200A	SAGEON2.L26	385.5202.2619			X									
400A	SAGEON2.L27	385.5202.2719				X								
400A	SAGEON2.L44	385.5202.4419					X							
400A	SAGEON2.L45	385.5202.4519						X						
400A	SAGEON2.L46	385.5202.4619							X					
400A	SAGEON2.L47	385.5202.4719								X				
600A	SAGEON2.L64	385.5202.6419									X			
600A	SAGEON2.L65	385.5202.6519										X		
600A	SAGEON2.L66	385.5202.6619											X	
600A	SAGEON2.L67	385.5202.6719												X
	RACK MOUNTING 23" RACK MID MOUNT (ADD AN "F" TO THE PART NUMBER FOR FLUSH MOUNTING*)													
200A	SAGEON2.L24	385.5202.2423	X											
200A	SAGEON2.L25	385.5202.2523		X										
200A	SAGEON2.L26	385.5202.2623			X									
400A	SAGEON2.L27	385.5202.2723				X								
400A	SAGEON2.L44	385.5202.4423					X							
400A	SAGEON2.L45	385.5202.4523						X						
400A	SAGEON2.L46	385.5202.4623							X					
400A	SAGEON2.L47	385.5202.4723								X				
600A	SAGEON2.L64	385.5202.6423									X			
600A	SAGEON2.L65	385.5202.6523										X		
600A	SAGEON2.L66	385.5202.6623											X	
600A	SAGEON2.L67	385.5202.6723												X
<b>RECTIFIERS</b>														
48V 2400W @ 208-240VAC		100.7675.4850	X	X	X	X	X	X	X	X	X	X	X	X
BLANK COVERS		124.0073.00	X	X	X	X	X	X	X	X	X	X	X	X
<b>BATTERY CURRENT TRANSDUCERS (UP TO 4 PER INTERFACE BOARD)</b>														
BATTERY CURRENT TRANSDUCER INTERFACE BOARD		385.5202.17	X	X	X	X								
50 AMPS CLOSED WINDOW (EXTERNAL) WITH 4 FEET CABLE		385.5971.050	X	X	X	X								
50 AMPS CLOSED WINDOW (EXTERNAL) WITH 4 FEET CABLE		385.5972.050	X	X	X	X								
100 AMPS CLOSED WINDOW (EXTERNAL) WITH 4 FEET CABLE		385.5971.100	X	X	X	X								
100 AMPS SPLIT WINDOW (EXTERNAL) WITH 4 FEET CABLE		385.5972.100	X	X	X	X								
200 AMPS CLOSED WINDOW (EXTERNAL) WITH 4 FEET CABLE		385.5971.200	X	X	X	X	X	X	X	X	X	X	X	X
200 AMPS SPLIT WINDOW (EXTERNAL) WITH 4 FEET CABLE		385.5972.200	X	X	X	X	X	X	X	X	X	X	X	X
400 AMPS CLOSED WINDOW (EXTERNAL)		385.5971.400					X	X	X	X	X	X	X	X
400 AMPS SPLIT WINDOW (EXTERNAL)		385.5972.400					X	X	X	X	X	X	X	X
600 AMPS CLOSED WINDOW (EXTERNAL)		385.5971.600					X	X	X	X	X	X	X	X
800 AMPS SPLIT WINDOW (EXTERNAL)		385.5972.800					X	X	X	X	X	X	X	X
<b>LOW VOLTAGE BATTERY DISCONNECT (LVBD)</b>														
200 AMP CONTACTOR AND BYPASS SWITCH		385.5202.13	X	X	X	X	X	X	X	X	X	X	X	X
600 AMP CONTACTOR		385.5202.11					X	X	X	X	X	X	X	X
<b>COMMUNICATIONS</b>														
ETHERNET TCP/IP		385.4014.25	X	X	X	X	X	X	X	X	X	X	X	X
ETHERNET TCP/IP/SNMP		385.4015.25	X	X	X	X	X	X	X	X	X	X	X	X
<b>TEMPERATURE SENSORS</b>														
1 AMBIENT, UP TO 4 BATTERY SENSORS PER SENSOR INTERFACE BOARD FOR LISTS L24-L27, L44-L47, & L64-L67														
MULTIPLE BATTERY TEMP SENSOR INTERFACE BOARD		385.5202.18	X	X	X	X								
10' (3m) CABLE LENGTH		385.5941.03	X	X	X	X	X	X	X	X	X	X	X	X
20' (6m) CABLE LENGTH		385.5941.06	X	X	X	X	X	X	X	X	X	X	X	X
50' (15m) CABLE LENGTH		385.5941.15	X	X	X	X	X	X	X	X	X	X	X	X
100' (30m) CABLE LENGTH		385.5941.30	X	X	X	X	X	X	X	X	X	X	X	X
<b>BATTERY CELL MONITORING</b>														
BATTERY MONITOR (REQUIRES BOTH BATTERY WIRE & POST ADAPTOR)		385.5202.20	X	X	X	X	X	X	X	X	X	X	X	X
<b>BATTERY SENSE WIRE SUPPORTS UP TO 24 CELLS</b>														
BATTERY SENSE LENGTH 10'		350.7812.10	X	X	X	X	X	X	X	X	X	X	X	X
BATTERY SENSE LENGTH 25'		350.7812.25	X	X	X	X	X	X	X	X	X	X	X	X
BATTERY SENSE LENGTH 50'		350.7812.50	X	X	X	X	X	X	X	X	X	X	X	X
BATTERY SENSE LENGTH 100'		350.7812.100	X	X	X	X	X	X	X	X	X	X	X	X
<b>BATTERY POST LUG SIZE SUPPORTS UP TO 24 CELLS</b>														
BATTERY POST ADAPTOR KIT #10		385.6151.03	X	X	X	X	X	X	X	X	X	X	X	X
BATTERY POST ADAPTOR KIT 1/4" (6mm)		385.6151.04	X	X	X	X	X	X	X	X	X	X	X	X
BATTERY POST ADAPTOR KIT 5/16" (8mm)		385.6151.05	X	X	X	X	X	X	X	X	X	X	X	X
BATTERY POST ADAPTOR KIT 3/8" (10mm)		385.6151.06	X	X	X	X	X	X	X	X	X	X	X	X
BATTERY POST ADAPTOR KIT 1/2" (12mm)		385.6151.07	X	X	X	X	X	X	X	X	X	X	X	X
<b>SITE MONITORING</b>														
SITE MONITOR (EXTERNAL PANEL)		385.5202.21	X	X	X	X	X	X	X	X	X	X	X	X

\* FLUSH MOUNTING IS ONLY TO BE USED ON WELDED/TIERED RACK ASSEMBLIES. MID-MOUNT MUST BE USED ON STANDARD RELAY RACKS. NO MOUNTING KIT REQUIRED FOR 19" FLUSH MOUNT.